

Fire-EdUp Brainstorm

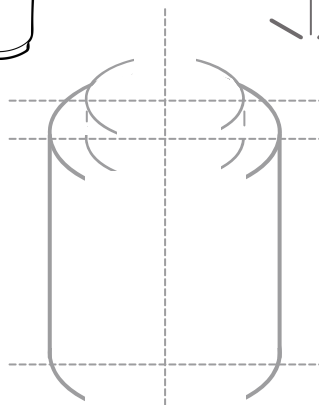
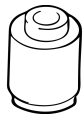
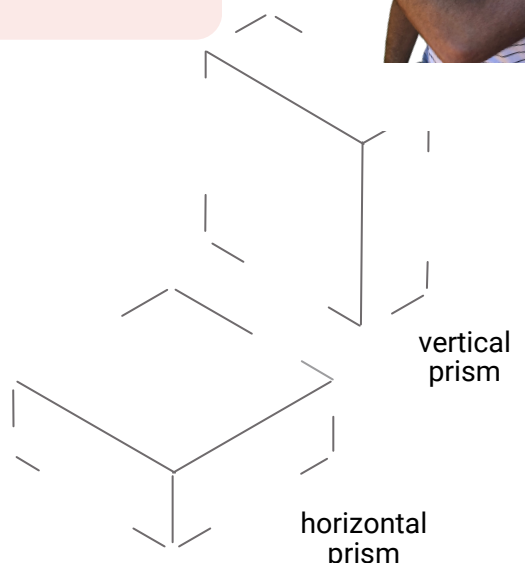
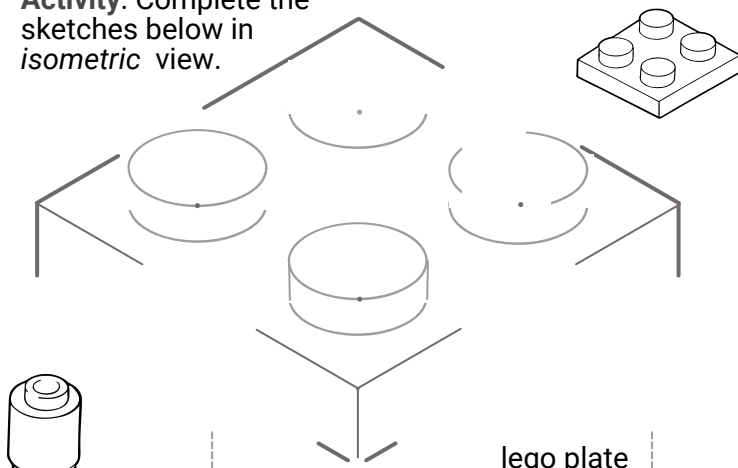
Sketching your ideas in 3D



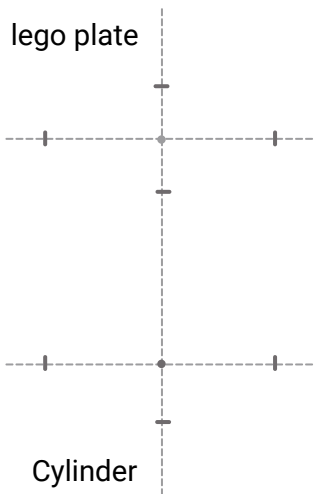
Sketching in 3D is a great way to quickly imagine and share new ideas. Most designs start out as a just a cube or a cylinder. Let's practice sketching those two objects.

Introducing 'Glenny-D', who has taught thousands of his students how to sketch in 3D. See his free YouTube drawing tutorials at [Splat3D](http://Splat3D.com).

Activity: Complete the sketches below in *isometric* view.

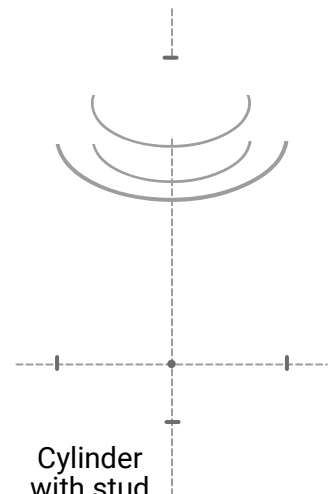


Lego round brick

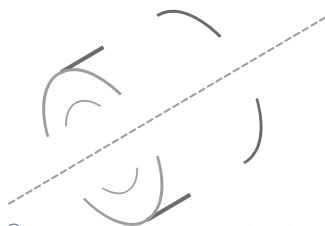


lego plate

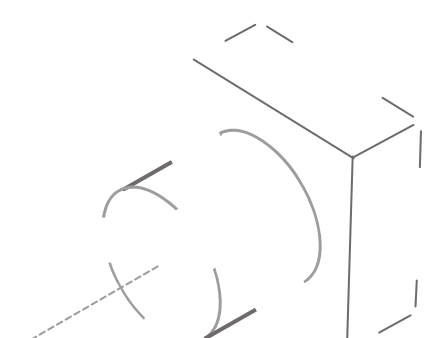
Cylinder



Cylinder with stud



Cylinder with hole



Combine to design !



HOW TO RENDER CYLINDERS

